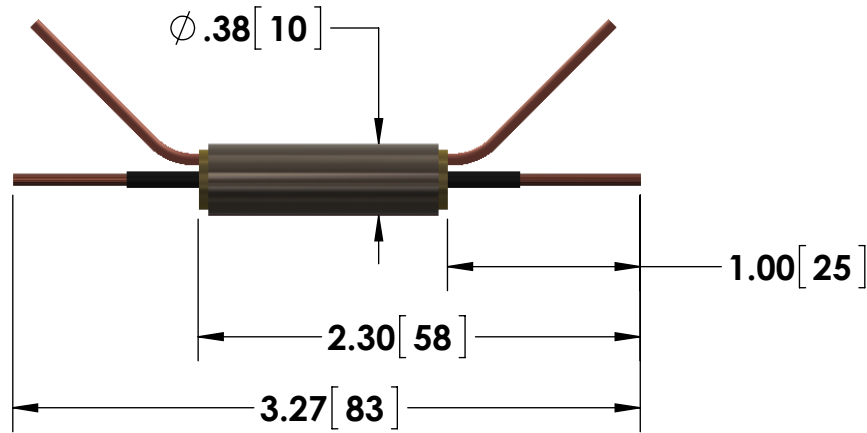


- #14 Bare Copper Wire Input and Output Connections



Specifications subject to change without notice.



TITLE:	SPT SERIES - 2 Watt Units	
DIMENSIONS:	inch[mm]	DATE: 03-16-2015