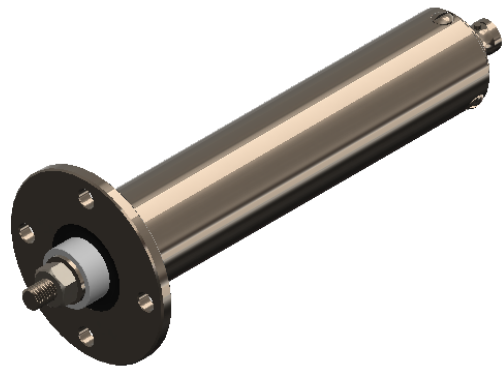
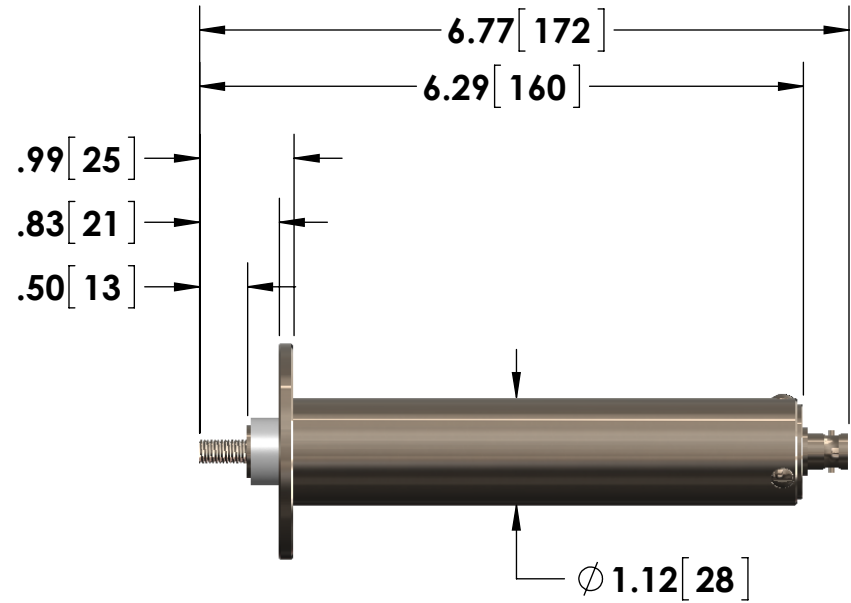
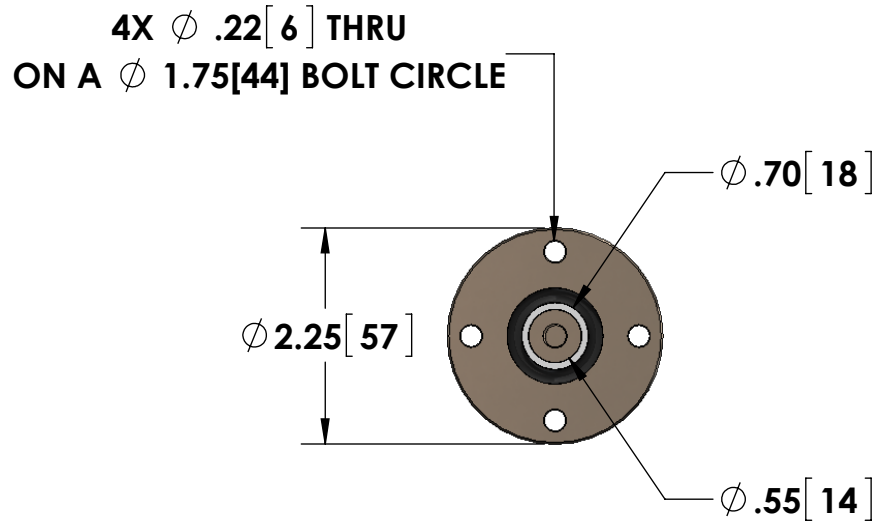


- 1/4-28 Stud Input w/Nut
- BNC (Amphenol) Output



Specifications subject to change without notice.



T & M RESEARCH PRODUCTS, INC.

TITLE:

**M SERIES - 2M-05**

DIMENSIONS:

inch [ mm ]

DATE:

**03-25-2015**